

Business Owners, CIO's & IT Managers

WHAT YOU DONOT KNOW

It is estimated that "Buddy Punching" accounts for an estimated 7.5% to 11.9% of all time clock transactions.



This fraud alone costs businesses millions of dollars each and every year.

➤ Do you know:

- The biggest treat to your IT Infrastructure is **"physical presence"**
- Who enters your IT facility when you're not there?
- **Our Access Control** will protect your business life-line?...your **IT and IP**

➤ It is estimated that "Buddy Punching" accounts for an estimated 7.5% to 11.9% of all time clock transactions. This fraud alone costs businesses millions of dollars each and every year.

❖ We have the technology, expertise and skills.....

❖ **Take full control of your IT Infrastructure, Facility or Building**

❖ Authorize everyone that enters your IT facility

❖ Get the Information you need and do it cost effectively with our solution!

SGNT Technologies Inc.

5850 Keaton Crescent, Mississauga, Ontario L5R-3K2 Canada

Phone: (905) 290-1384 E-Mail: sales@sgntt.com Website: www.sgntt.com

Bio-Eagle Biometrics Time/Attendance & Access Control

Positive verification of who you say you are is the single most important concern in an automated time and attendance environment. It is estimated that "Buddy Punching" accounts for an estimated 7.5% to 11.9% of all time clock transactions. This fraud alone costs businesses millions of dollars each and every year.

In time and attendance applications, our products are designed to efficiently, and positively identify each individual, eliminating buddy punching. Our off-the-shelf solutions are capable of exporting time clock data directly into many existing time and attendance systems. For OEM applications, we offer hardware and software platforms for integrating biometric time clocks directly into your time and attendance products.

Our solutions provide far more than a fraud-proof Time and Attendance system, they deliver greater profitability to your company. Whether you are an end user or OEM, contact us and add the security of biometric technology to your automated time and attendance solution.

For Access Control, permit in and out by verify fingerprint. The system works stand alone without / with computer. Machine come with separate controller, built-in TCP/IP and built-in adapter for any electric current from 110 to 230V AC.



DISTRIBUTOR

SGNT Technologies Inc.

5850 Keaton Crescent,
Mississauga, Ontario
L5R-3K2 Canada

Phone: (905) 290-1384
E-Mail: sales@sgntt.com

Website: www.sgntt.com

BIO-EAGLE

Biometrics Time Attendance & Access Control



Wireless Door Bell with 3 lovely song



Controller with built-in TCP/IP

Positive verification of who you say you are is the single most important concern in an automated time and attendance environment. It is estimated that "Buddy Punching" accounts for an estimated 7.5% to 11.9% of all time clock transactions. This fraud alone costs businesses millions of dollars each and every year.

In time and attendance applications, our products are designed to efficiently, and positively identify each individual, eliminating buddy punching. Our off-the-shelf solutions are capable of exporting timeclock data directly into many existing time and attendance systems. For OEM applications, we offer hardware and software platforms for integrating your company information / Logo directly into your time and attendance products.

Our solutions provide far more than a fraud-proof Time and Attendance system, they deliver greater profitability to your company. Whether you are an end user or OEM, contact us and add the security of biometric technology to your time and attendance solution.

For Access Control, check out and in by verify fingerprint. work stand alone without / with computer. Machine come with separate controller, built-in TCP/IP and built-in adapter for any electric current from 110 to 230V AC.

Features

- Open Standards
- Linux Programmable
- Advanced Biometrics
- Optional External UPS
- Relay Output for Access Control
- 1 to 1 Matching or 1:N Identification
- Remote configuration through Network
- Durable Optical Sensor
- Configurable Security Levels
- Standalone or network operation
- User Friendly, Interface like a mobile phone
- Superior Static Resistance
- Built-in TCP/IP
- Output Relay

Technical Specification

User capacity	1000, (1500/2000/2800-Option)
Transaction storage	30000, (50000/100000/120000-Option)
Fingerprint sensor	High end optical sensor 500dpi resolution
Matching Mode	1:N, 1:1
Communications	RS-232 / RS-485 / TCP/IP
Identification time	<=1 s
FAR(Fault Accept Rate)	<=0.0001%
FRR(Fault Reject Rate)	<=0.01%
Temp. operating	0°C~45°C
Humidity operating	20%~80%
Sensor	Optical Sensor
Language	English, Traditional Chinese, Simplified Chinese
Size	184(L) x 142(W) x 50(H)mm

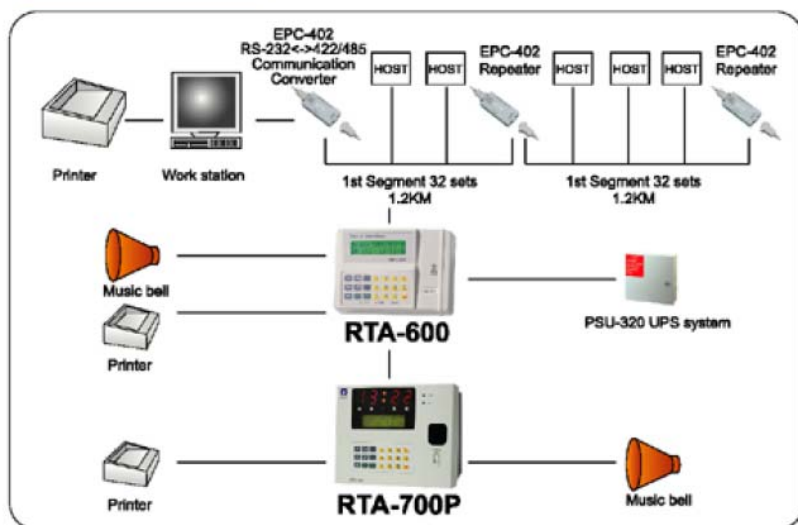
RTA-600 / RTA-700 Time Attendance Recorder



FEATURES	RTA-600	RTA-700
● Stand alone or on-line with PC. It is capable to connect up to 255 sets .	●	●
● Capable to connect slave readers.	●	—
● External Modem / TCP/IP Converter for communication between headquarters and branch offices.	●	●
● Large LCD to show current time, badge number, date shift, duty status and English name.	●	●
● Changeable 6 shifts operation mode and 16-shift selection.	●	●
● 20 sets timing for siren, which could be activated according to timetable status.	●	●
● External parallel printer for on time management.	●	●
● 128k storage buffer for 5000 transaction records.	●	●
● Time attendance-cum-access control function.	●	●
● Database could be saved in DBF of TXT format.	●	●
● Programmable maximum swipe card failure.	●	●
● System will warn when memory buffer is 80% full. It will stop accepting data when 90% full.	●	●
● Capable to set whether to record invalid transaction and check duplication of swiping card in order to save memory capacity.	●	●
● Provides self-test code to detect during system failure.	●	●
● Master card for stand alone operation.	●	●
● Provide Wiegand 26 bit input interface.	●	—
● Provide 1 DC 12V output for musical bell.	●	●
● Provide 1 relay output as an access controller.	●	—
● The data can be kept in controller for 60 days while power failure, and can up to 10 years.	●	●
● Built-in UPS to operate during power failure.	Up to 60 minutes	Up to 6 hours

SPECIFICATIONS	RTA-600	RTA-700
Bar code reader	Infra red slot reader:Resolution 0.15mm,Scanning speed:100~1000mm/sec.	
Magnetic strips reader	ISO Standard Track:T1,T2,T3	
Proximity reader	ABA-Track 2	
Input device	1 sensor	—
Output device	2 relay	
Indicators	LCD display and 3 LED	1 Large LCD display / 1 Large LED time display / 2 LED
Keypads	21 keys	
Beep tone	Buzzer	
Memory	64K ROM and 128K SRAM	
Storage capacity	5000 events	
Communication interface	RS-232, RS-422, RS-485	
Operating voltage	DC 12V@1000mA	AC 100V-240V, 50/60Hz
Power consumption	7W (max)	20W (max)
Baud rate	9600bps-N-8-1	
Operating temperature	0°C~55°C / 32°F~131°F	
Relative humidity	20%~95% (Non condensing)	
Dimensions	140mm(L) x 205mm(W) x 70mm(H)	194mm(L) x 260mm(W) x 100mm(H)
Weight	800g	3200g

SPECIFICATION



DISTRIBUTOR

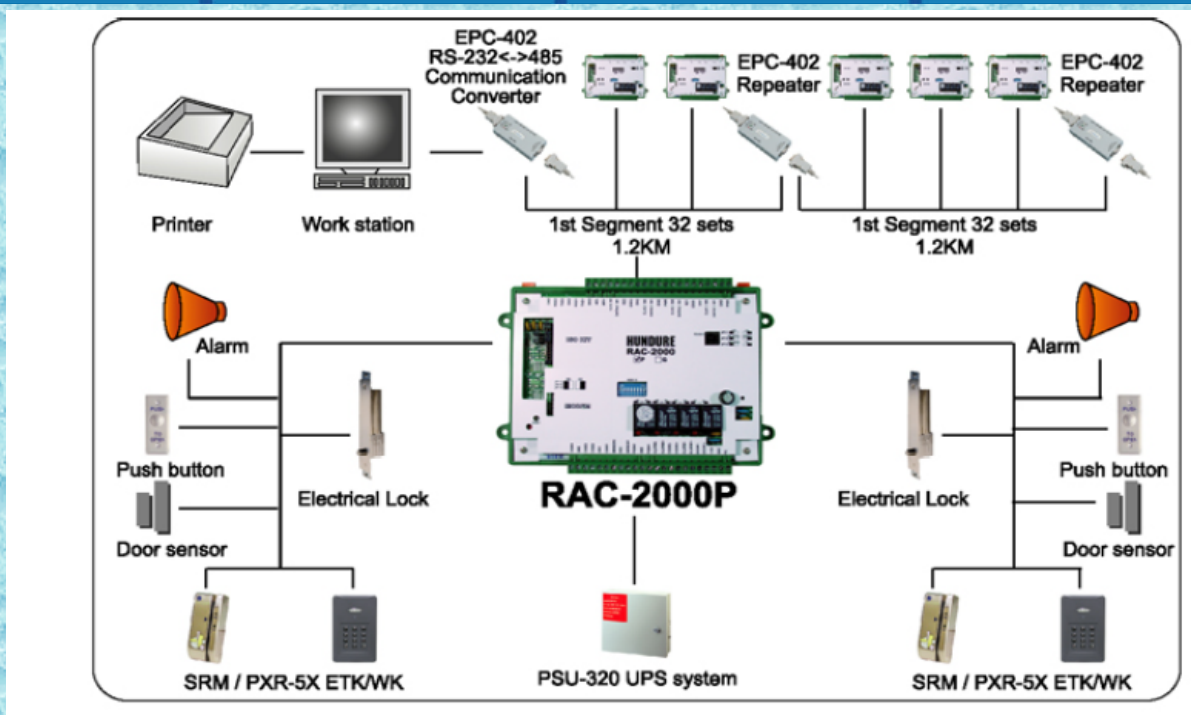
SGNT Technologies Inc.

5850 Keaton Crescent,
Mississauga, Ontario
L5R-3K2 Canada

Phone: (905) 290-1384
E-Mail: sales@sgntt.com

Website: www.sgntt.com

Access Control Devices



Complete systems starting from \$1,500.00

5850 Keaton Crescent, Mississauga, Ontario L5R-3K2 Canada Phone: (905) 290-1384